



**YANMAR**

MINI-EXCAVATOR

# Vi026-6



Operating weight

2560 kg (canopy) / 2665 kg (cabin)

Engine

3TNV76-NBVA1

Digging force (arm)

14.5 kN / 12.7 kN (long arm)

Digging force (bucket)

24.5 kN



# A simple and effective tool for daily site operations



## COMPACTNESS

Inventor of the ViO concept, Yanmar has unequalled experience in developing Zero Tail Swing mini-excavators. The Vi026-6 is a true Zero Tail Swing mini-excavator machine that allows safe rotation of the upper frame.



## EASE OF TRANSPORT

Its transport weight of just 2590 kg (cabin version) enables the Vi026-6 to be transported with its accessories on a trailer.



## YANMAR ENGINE

Latest version of Yanmar TNV engines: 3-cylinder electronic control and direct injection engine built for best performance, reduced fuel consumption and lower emissions.



## QUALITY OF COMPONENTS

Components selected for their excellent quality and reliability. Design and performance of the components offer long service life to the Vi026-6.



## "FLOW SHARING" HYDRAULIC SYSTEM

Made up of a variable-flow piston pump and a load signalling and flow sharing distributor, it performs the movement combinations required by the operator.





## ACCESSIBILITY

5 covers or openings that allow easy access to the components for maintenance. For fast and practical inspections or daily maintenance



## CABIN

New driving station: more leg space, "Universal Design", new instrumentation, better ergonomics and significant noise reduction.



## SIMPLICITY OF USE

Due to their ideal placement, the control levers allow movements to be performed with exceptional precision. An auto-deceleration function is available as an option.



## HIGH PERFORMANCE

Improved components of the power line: (engine, hydraulic pump, distributor) hence no compromise between power and compactness.





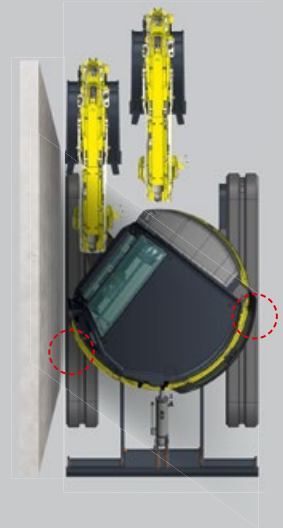
## UNEQUALLED COMPACTNESS

ViO26-6 allows the Yanmar operators to work with peace of mind, especially in urban environments where the space is very restricted.

### ADVANTAGE OF THE VIO CONCEPT

Neither the counterweight nor the front part of the frame exceeds the width of the crawlers. Since its front part is designed not to exceed, the ViO26-6 has a very small radius of rotation.

- + Greater safety both for the operator and the workers in the nearby environment: primordial on sites.
- + Dead angle reduced to the minimum: optimal visibility all around the machine.



## EASE OF TRANSPORT

Its transport weight of just 2590 kg and high very compact lower frame allow the ViO26 to be easily transported with its accessories on a truck as also on a trailer whose allowed total transportation weight should not exceed 3.5t.





# COMFORT



## SPACIOUS AND COMFORTABLE CABIN

All design-related decisions have been taken by Yanmar, keeping the operator at the centre of its focus. Yanmar has developed the “Universal Design” concept to improve your comfort and productivity. By offering more legroom, this design improves operator comfort and safety. The controls and joysticks are placed ergonomically so that they are easily accessible.



Spacious 385 mm legroom



## 360° VISIBILITY

The design of the Vi026-6 offers the operator an ergonomic environment, excellent visibility and exceptional safety. The cabin shape offers the operator an optimum 360° visibility to enhance on-site safety and improve efficiency.

The Vi026-6 is equipped with two rear-view mirrors that allow the operator to control the working area without moving from his seat.



## COMFORTABLE SEAT

The Vi026-6 is equipped as standard with a comfortable and ergonomic suspension seat with adjustable controls



# PERFORMANCE



## IMPROVED POWER LINE

### NEW GENERATION ELECTRONICALLY CONTROLLED YANMAR MOTOR

With an output of 15.8 kW at 2500 rpm, Yanmar's 3TNV76-NBVA1 engine is the result of our continuous efforts to achieve technological advances in fuel consumption and emissions. An improved fuel injection system reduces emissions and noise.

- + An auto-deceleration system, which lowers the engine speed to idle when the machine has not been used for more than 4 seconds, and then automatically re-accelerates as soon as necessary, further reduces fuel consumption.

### LOAD SENSING — FLOW SHARING

#### HYDRAULIC SYSTEM

The Vi026-6 is equipped with a "Flow Sharing" hydraulic system comprising a variable-flow piston pump (with maximum flow rate of 75 l/min) and a load signalling and flow sharing distributor.

Each section of the distributor has a pressure balance that delivers flow proportional to the operator's demand and the available instantaneous flow: when several movements together require the instantaneous flow in excess of what is available, each movement is reduced in the same ratio. The requested movement combination is thus ensured.

#### STANDARD 3<sup>RD</sup> CIRCUIT

An auxiliary line with on/off control allows a large number of accessories to be used, such as a breaker or an auger. Options such as proportional control of the 3rd circuit and installation of a potentiometer are available for greater usage flexibility and increased versatility of the machine.

## NO COMPROMISE ON PERFORMANCE

### EXCELLENT EXCAVATION FORCES

The Vi026-6 offers exceptional performance for a machine in its class. Its digging depth of 2490 mm\* and its digging forces (bucket) of 24.5 kN and digging forces (arm) of 14.5 kN allow it to work quickly and efficiently even under the most severe conditions.

### STABILITY

The 1500 mm width of its undercarriage, the use of a large counterweight and excellent weight distribution offer same or even greater stability than that of conventional machines of the same weight class, as well as great lifting capacities.

\*with long arm

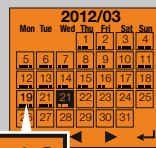
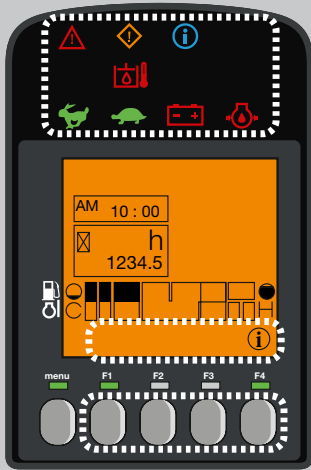


# SAFETY

The cabin structure of the Vi026-6 has been designed to comply with the ROPS certification requirements (Roll Over Protective Structure) and with level 1 of the FOPS certification (Falling Object Protective Structure).



The Vi026-6 gets unique and complete protection of its boom and arm cylinders. All cylinder tubes and rods are protected by a highly elastic steel plate which significantly reduces the TCO of the machine.



## DIGITAL INTERFACE

The Vi026-6 is equipped with a digital interface which informs the operator in real time about the status of his machine. Perfectly integrated into the right-hand console, the 3.3 screen provides excellent visibility. The interface provides the customer with useful information through LED lamps, or indications about important parameters like fuel consumption, fuel gauge, coolant temperature gauge, etc. The interface assists the customer for maintenance intervals and to program such service intervals.

Finally, it also works as a diagnostic tool. In case of malfunction an error code and an information icon are displayed on the screen.

## LED LIGHTING: EFFICIENCY AND LOW CONSUMPTION

To ensure safe, efficient and accurate operation in the dark, the Vi026-6 is equipped as standard with a LED lamp located on the inside of the boom. LED technology offers powerful lighting while reducing energy consumption, which extends battery life. It is possible to add two LED lamps to the front of the cabin as an option, as well as a rotating beacon and an additional rear LED light.



## MAINTENANCE

### EASE OF ACCESS

Daily maintenance should be easy to perform. The engine cover and the side cover have wide openings. This offers access to all main components: air filter, compressor, radiator, fuel filling pump, battery, fuel tank, oil tank, alternator of the hydraulic circuit, engine oil dipstick, water separator, coolant level, etc. A floor mat also helps in the cleaning process.





# EQUIPMENT



## [ STANDARD EQUIPMENT ]

### PERFORMANCE

3TNV76-NBVA1 Yanmar diesel | Direct Injection | Hydraulic system: Load Sensing Flow Sharing | 3<sup>rd</sup> on/off hydraulic circuit line to arm end

### COMFORT AND EASE OF USE

LCD interface | Standard mechanical suspension seat, adjustable, vinyl coat (canopy) or textile coat (cabin), high backrest | Armrests | Foot rests | Switch on blade lever for travelling speed change | Windshield with 2 fully retractable parts | Sliding double right-side window | Transparent upper front part | Wiper | Windshield washer | Automatic ceiling lamp | 1 x 12V outlet

### SAFETY AND DURABILITY

Handrails | Safety lever | Seat belt | Evacuation hammer | Anchor points | 3 mirrors | Blade cylinder supply hose into two parts | 1 LED light integrated into the boom | Battery switch by quick connector | Complete protection of the cylinders (boom, arm and blade) | Hoses protected by abrasion resistant sleeves | Lockable covers

### MISCELLANEOUS

Fuel gauge | Toolbox | Toolkit | Grease pump

## [ OPTIONAL ]

### PERFORMANCE

Steel crawlers 250mm | Long arm (+250mm) | Additional counterweight (+100 kg) | Proportional 3<sup>rd</sup> circuit | Proportional 3<sup>rd</sup> circuit with potentiometer | Quick hitch line 160-200 bar | Clamshell bucket circuit | Auto idle | Push pull hydraulic quick connectors | Central greasing

### COMFORT AND EASE OF USE

Improved ergonomic suspension seat with adjustment levers, high backrest and retractable seat belt (PVC or fabric) | Seat cover | Radio (only cabin version) | Travel pedals

### SECURITY AND DURABILITY

Safety valves for lifting + overload warning device | Anti-theft device (key/keyboard) | GPS Tracking | Travel alarm | 2 front LED working lights on the cabin | Battery cut-off | 1 rear LED work light + 1 LED flashing rotary fixed on cabin | Beacon light with magnetic base | Flashing rotary

### MISCELLANEOUS

Biodegradable oil | Documentation box

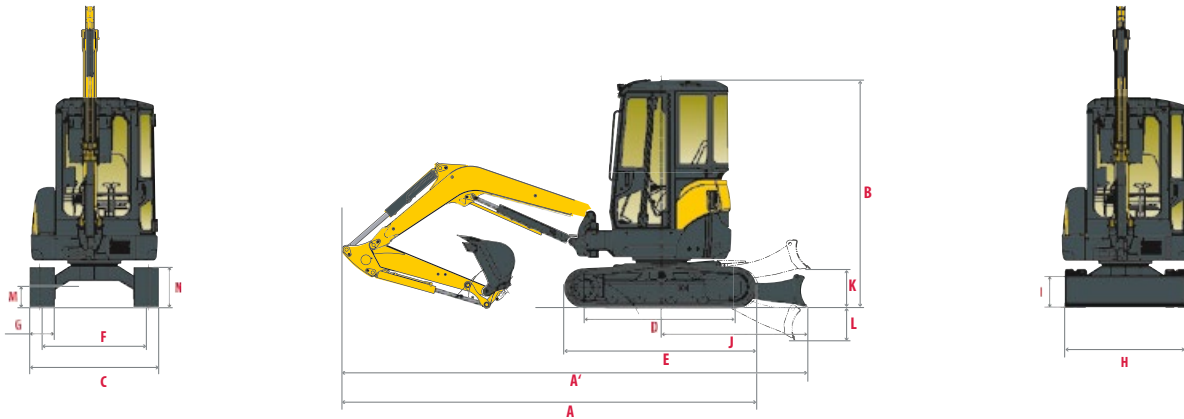
## [ ATTACHMENTS ]

Yanmar gives you the attachment that fit your needs and match the safety standards in force in your country: mechanical quick coupler, hydraulic quick coupler, ditching bucket, tilt bucket, backhoe bucket, hydraulic breaker...

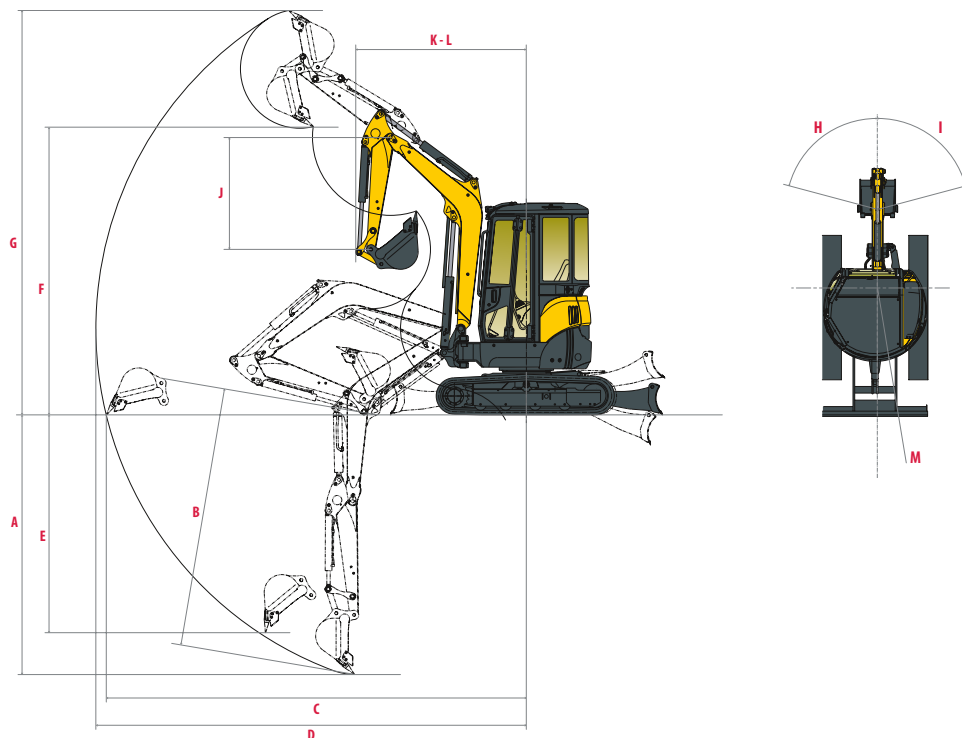




# DIMENSIONS



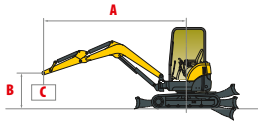
<b>A</b> Overall length	4110 / 4120 * mm	<b>H</b> Overall blade width	1500 mm
<b>A'</b> Overall length with blade at the back	4490 / 4500 * mm	<b>I</b> Overall blade height	288 mm
<b>B</b> Overall height	2530 mm	<b>J</b> Blade distance	1390 mm
<b>C</b> Overall width	1500 mm	<b>K</b> Max. blade height above the ground	280 mm
<b>D</b> Length of track on ground	1587 mm	<b>L</b> Max. lowering blade depth	350 mm
<b>E</b> Undercarriage length	2040 mm	<b>M</b> Minimum ground clearance	320 mm
<b>F</b> Lane	1250 mm	<b>N</b> Ground clearance under counterweight	525 mm
<b>G</b> Track width	250 mm		



<b>A</b> Max. digging depth - Blade lifted	2490 / 2740 * mm	<b>H</b> Boom swinging base to left	47°
<b>B</b> Max. digging depth - Blade lowered	2690 / 2940 * mm	<b>I</b> Boom swinging base to right	74°
<b>C</b> Max. digging reach on ground	4340 / 4590 * mm	<b>J</b> Arm length	1150 / 1400 * mm
<b>D</b> Max. digging reach	4460 / 4700 * mm	<b>K</b> Minimum front swing radius	1950 / 1990 * mm
<b>E</b> Max. vertical wall	1150 / 1290 * mm	<b>L</b> Minimum front swing radius with boom swing	1650 / 1680 * mm
<b>F</b> Max. dumping height	2830 / 2990 * mm	<b>M</b> Rear swing radius	750 / 825 ** mm
<b>G</b> Max. cutting height	3990 / 4140 * mm		

\* with long arm / \*\* with additional counterweight

# LIFTING FORCE



Tipping load, rating over front



Tipping load, rating over side 90°

## Standard arm, standard counterweight

Cabin												Canopy													
Blade on ground						Blade above ground						Blade on ground						Blade above ground							
A		Max.		3,5 m	3 m	2,5 m	2 m			Max.		3,5 m	3 m	2,5 m	2 m			Max.		3,5 m	3 m	2,5 m	2 m		
B	(A=)									(A=)									(A=)						
3 m	3020	485/485*	485/485*	-	-	485/485*	485/485*	-	-	3020	485/485*	485/485*	-	-	485/485*	485/485*	-	-	3020	485/485*	485/485*	-	-	485/485*	485/485*
2,5 m	3380	380/365	485/485*	-	-	465/465*	465/465*	-	-	3380	360/350	485/485*	-	-	465/465*	465/465*	-	-	3380	360/350	485/485*	-	-	465/465*	465/465*
2 m	3620	330/320	485/395	555/340	485/410	490/490*	490/490*	520/520*	520/520*	3620	315/300	485/370	325/325	485/385	490/490*	490/490*	520/520*	520/520*	3620	315/300	485/370	325/325	485/385	490/490*	490/490*
1,5 m	3750	300/295	515/365	345/335	525/405	425/415	550/550*	570/655*	655/655*	815/815*	815/815*	3750	290/280	515/340	325/315	525/380	405/390	550/550*	545/545	655/655*	815/815*	815/815*	3750	290/280	515/340
1 m	3810	295/285	530/345	330/320	550/395	420/405	660/500*	535/515	800/660	760/745	1035/890	3810	280/265	530/325	310/300	550/370	395/385	660/475	505/490	799/625	715/705	1035/840	3810	280/265	530/325
0,5 m	3780	290/280	545/345	325/315	590/390	400/390	700/485	520/515	910/630	700/680	1270/870	3780	280/265	545/325	305/295	590/370	375/365	700/460	485/490	910/590	660/640	1270/820	3780	280/265	545/325
0 m	3650	295/290	555/355	315/305	605/380	390/380	740/470	510/490	935/620	685/660	1245/835	3650	285/270	555/335	300/290	505/355	365/355	740/445	480/465	935/580	640/625	1245/790	3650	285/270	555/335
-0,5 m	3450	325/310	550/390	-	-	380/370	700/460	500/480	935/610	705/670	1220/830	3450	305/295	550/365	-	-	355/345	700/435	470/455	935/570	665/635	1220/855	3450	305/295	550/365
-1 m	3120	380/380	580/450	-	-	420/410	605/490	530/530	825/640	730/730	1090/880	3120	360/360	580/425	-	-	400/385	605/465	500/505	825/605	690/690	1090/835	3120	360/360	580/425
-1,5 m	2610	470/465	565/565*	-	-	-	-	500/500	585/585*	660/645	805/805*	2610	440/440	565/565*	-	-	-	-	470/475	585/585*	620/605	805/805*	2610	440/440	565/565*

## Long arm, standard counterweight

Cabin												Canopy													
Blade on ground						Blade above ground						Blade on ground						Blade above ground							
A		Max.		3,5 m	3 m	2,5 m	2 m			Max.		3,5 m	3 m	2,5 m	2 m			Max.		3,5 m	3 m	2,5 m	2 m		
B	(A=)									(A=)									(A=)						
3 m	3320	370/360	420/420*	-	-	420/420*	420/420*	-	-	3320	350/340	420/420*	-	-	420/420*	420/420*	-	-	3320	350/340	420/420*	-	-	420/420*	420/420*
2,5 m	3650	325/320	435/350	355/350	425/350	375/420*	420/420*	-	-	3650	305/300	435/330	325/330	425/330	420/420*	420/420*	-	-	3650	305/300	435/330	325/330	425/330	420/420*	420/420*
2 m	3870	290/280	445/340	350/340	445/270	380/380	420/420*	-	-	3870	275/265	445/320	330/325	445/350	420/420*	420/420*	-	-	3870	275/265	445/320	330/325	445/350	420/420*	420/420*
1,5 m	4000	270/260	465/320	345/330	465/390	425/415	480/480*	600/600*	600/600*	4000	255/250	465/305	325/310	465/310	405/390	480/480*	600/600*	600/600*	4000	255/250	465/305	325/310	465/310	405/390	480/480*
1 m	4050	260/250	460/310	325/315	515/380	405/400	570/570*	535/515	725/725*	750/730	900/900*	4050	245/235	460/295	310/300	515/360	385/380	570/570*	505/490	725/725*	705/695	900/900*	4050	245/235	460/295
0,5 m	4020	260/250	490/310	320/310	585/380	395/385	675/485	520/495	855/625	685/660	1205/870	4020	245/235	490/295	300/295	585/360	375/365	675/460	485/465	855/590	640/625	1205/820	4020	245/235	490/295
0 m	3910	255/255	490/285	310/300	585/350	390/370	730/470	500/485	910/615	685/660	1175/835	3910	250/240	490/270	295/280	585/330	365/355	730/445	470/455	910/580	640/625	1174/790	3910	250/240	490/270
-0,5 m	3720	280/270	500/320	300/290	555/370	380/370	695/450	475/465	900/590	660/640	1155/805	3720	265/255	500/300	285/275	555/345	365/345	695/430	445/435	900/555	615/600	1155/770	3720	265/255	500/300
-1 m	3420	340/330	540/400	-	-	410/400	615/490	530/530	835/630	730/730	1090/880	3420	320/310	540/375	-	-	390/380	615/465	500/500	835/595	690/690	1090/835	3420	320/310	540/375
-1,5 m	2980	420/410	529/460	-	-	-	-	500/500	625/625*	660/645	855/855*	2980	400/390	529/435	-	-	-	-	470/475	625/625*	620/605	855/855*	2980	400/390	529/435

## Standard arm, additional counterweight

Cabin												Canopy													
Blade on ground						Blade above ground						Blade on ground						Blade above ground							
A		Max.		3,5 m	3 m	2,5 m	2 m			Max.		3,5 m	3 m	2,5 m	2 m			Max.		3,5 m	3 m	2,5 m	2 m		
B	(A=)									(A=)									(A=)						
3 m	3020	485/485*	485/485*	-	-	485/485*	485/485*	-	-	3020	485/485*	485/485*	-	-	485/485*	485/485*	-	-	3020	485/485*	485/485*	-	-	485/485*	485/485*
2,5 m	3380	415/400	485/485*	-	-	465/465*	465/465*	-	-	3380	395/385	485/485*	-	-	465/465*	465/465*	-	-	3380	395/385	485/485*	-	-	465/465*	465/465*
2 m	3620	365/355	485/430	395/380	485/450	490/490*	490/490*	520/520*	520/520*	3620	350/335	485/410	375/360	485/430	490/490*	490/490*	520/520*	520/520*	3620	350/335	485/410	375/360	485/430	490/490*	490/490*
1,5 m	3750	335/330	515/400	385/375	525/445	475/460	550/550*	630/655*	655/655*	815/815*	815/815*	3750	320/315	515/375	365/355	525/420	450/435	550/550*	600/600	655/655*	815/815*	815/815*	3750	320/315	515/375
1 m	3810	325/315	530/380	370/355	550/440	465/450	660/550	595/570	800/775	840/820	1035/975	3810	310/300	530/360	350/340	550/415	445/430	600/525	565/545	800/690	800/780	1035/930	3810	310/300	530/360
0,5 m	3780	325/310	545/380	365/355	590/435	450/435	700/535	580/570	910/690	785/755	1270/960	3780	310/300	545/360	345/335	590/410	425/410	700/510	545/545	910/655	745/715	1270/910	3780	310/300	545/360
0 m	3650	330/320	555/395	355/345	605/425	440/420	740/525	575/550	935/685	755/745	1245/930	3650	320/305	555/370	335/325	605/400	415/400	740/495	545/525	935/645	730/705	1245/885	3650	320/305	555/370
-0,5 m	3450	360/345	550/430	-	-	425/415	700/515	560/540	935/675	795/755	1220/925	3450	340/330	550/405	-	-	405/390	700/490	530/515	935/640	755/715	1220/955	3450	340/330	550/405
-1 m	3120	425/420	580/495	-	-	470/455	605/545	595/590	825/710	820/810	1090/980	3120	400/400	580/470	-	-	450/435	605/520	565/560	825/675	780/770	1090/930	3120	400/400	580/470
-1,5 m	2610	520/515	565/565*	-	-	-	-	565/560	585/585*	750/725	805/805*	2610	490/485	565/565*	-	-	-	-	535/530	585/585*	710/685	805/805*	2610	490/485	565/565*

## Long arm, additional counterweight

Cabin												Canopy													
Blade on ground						Blade above ground						Blade on ground						Blade above ground							
A		Max.		3,5 m	3 m	2,5 m	2 m			Max.		3,5 m	3 m	2,5 m	2 m			Max.		3,5 m	3 m	2,5 m	2 m		
B	(A=)									(A=)									(A=)						
3 m	3320	405/395	420/420*	-	-	420/420*	420/420*	-	-	3320	385/375	420/420*	-	-	420/420*	420/420*	-	-	3320	385/375	420/420*	-	-	420/420*	420/420*</



# TECHNICAL CHARACTERISTICS

## [ WEIGHT +/- 2% (EUROPEAN STANDARDS) ]

	Transport weight *	Operating weight *	Ground pressure (kPa [Kg/cm <sup>2</sup> ])
Canopy version / Rubber crawlers	2485 kg	2560 kg	29.2
Canopy version / Steel crawlers	2595 kg	2670 kg	28.1
Cabin version / Rubber crawlers	2590 kg	2665 kg	31
Cabin version / Steel crawlers	2700 kg	2775 kg	29.9

\* These values include a 64 kg European bucket

## [ ENGINE ]

Type	3TNV76-NBVA1
Fuel	Diesel
Net power	15.2 kW / 20.7 HP at 2500 rpm (±3%)
Gross power	15.8 kW / 21.5 HP at 2500 rpm
Displacement	1,115 l
Maximum torque	63.4 - 69 at 1800 rpm (±100)
Cooling	Water-cooling
Starter	12 V - 1.4 kW
Battery	12 V - 45 Ah
Alternator	12 V - 40 A

## [ HYDRAULIC SYSTEM ]

Maximum pressure	206 bars
Variable flow pump	75 l.min <sup>-1</sup>

PTO	Theoretical data	
	Pressure (bars)	Flow (l.min <sup>-1</sup> )
1 way	0 - 215	67 - 15



Oil flow decreases as the pressure increases

## [ PERFORMANCE ]

Travel speed	2.8 / 4.5 km/h
Rotation speed	10 rpm
Digging force (arm)	14.5 kN / 12.7 kN (with long arm)
Digging force (bucket)	24.5 kN
Traction force	22.2 kN
Grade ability	25°
Noise level (2000/14/CE&2005/88/CE)	LWAG : 93 dBA ; LPAG : 81 dBA

## [ UNDERCARRIAGE ]

Number of top rollers	1
Number of bottom rollers	3
Track tensioning system	Grease cylinder

## [ CAPACITIES ]

Fuel tank	30,4 l
Coolant: with secondary tank capacity (0.4)	3,8 l
Engine oil	3,4 l
Hydraulic circuit	14 l
Hydraulic tank	25 l

## MAINTENANCE FREQUENCY

[ Change engine oil and filter: 50 hours (1<sup>st</sup>) / 500 hours (2<sup>nd</sup>) ] [ Change fuel filter: 250 hours ] [ Change hydraulic oil: 1000 hours ]  
 [ Change hydraulic oil filter: 50 hours (1<sup>st</sup>) / 500 hours (2<sup>nd</sup>) ] [ Change cooling fluid: 2000 hours ]



**YANMAR**



Yanmar Construction Equipment Europe  
25, rue de la Tambourine, 52100 SAINT-DIZIER  
France

[ycee-contact@yanmar.com](mailto:ycee-contact@yanmar.com)

[www.yanmarconstruction.eu](http://www.yanmarconstruction.eu)

Non contractual pictures - Printed in France - The manufacturer reserves the right to modify the information in this catalogue without notice. For further information, please contact your authorized Yanmar Construction Equipment dealer.

GB\_Vi026-6\_0617