

# Model 15MVL

VERTICAL PERSONNEL LIFTS



## MORE ECONOMIC

- Electric drive for zero emissions and near-silent running indoors.

## MORE PRODUCTIVE

- Boost efficiency with direct electric drive.

## MORE ACCESS

- Compact dimensions mean easier access to and within confined spaces.

## SMART DESIGN

- Outstanding manoeuvrability from point and go steer and drive system.



## Standard Features

- 0.66 m x 1.25 m (W x L) Slide bar entry extendable platform
- Quick-change platform mounts
- Safety interlocked controls
- Point & Go® fully proportional drive/steer single joystick control
- Joystick enable for lift and drive
- Variable speed elevation control
- Load sensing system
- Lanyard attachment anchor
- Automatic 5 hour battery charger
- On-board diagnostics
- Automatic power-off battery saver control
- Battery discharge indicator (located on platform and base)
- Direct electric two wheel drive
- Heavy duty planetary gear hubs
- Non mark tyres and casters
- Brake release
- AC power cable to platform
- Low maintenance anodised aluminium mast
- Pothole Protection System (PHP)
- Manual Descent
- Tilt light and alarm
- Key lock main power switch
- Hour meter
- Transportation tie-down lugs
- Fork truck pockets
- Horn
- Amber strobe light
- Batteries (Maintenance-free AGM batteries 2 x Sealed 12V,100 A/Hr)

## Accessories & Options

- 0.71 m x 1.22 m stock picking platform c/w fold back hand rails
- 0.71m x 1.22m stock picking platform c/w fixed hand rails
- Multi-position hand rails
- Narrow 0.56 m x 0.64 m slide bar, front entry platform
- Programmable 4 digit security lock
- Lifting eye for crane hook
- 4 x AGM maintenance free batteries
- Tool tray (0.20 m x 0.46 m x 0.13 m)
- Fluorescent tube caddy
- Synthetic Biodegradable Hydraulic Oil
- Euro Plug & Socket
- Special paint colour

# Model 15MVL

## VERTICAL PERSONNEL LIFTS

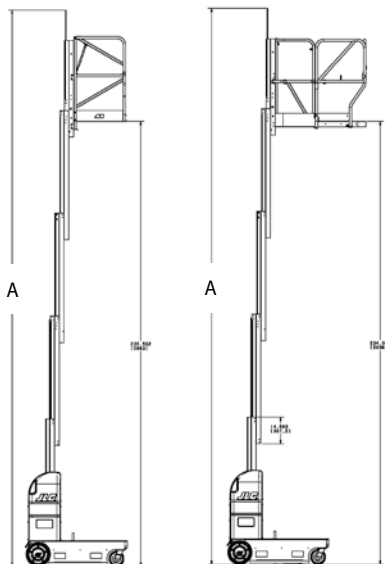
### Performance

- Max Drive Height 4.71 m
- Platform Capacity - Stockpicking Platform 230 kg
- Platform Size - Stockpicking Platform (W x L) 0.71 m x 1.22 m
- Platform Size - Narrow Platform (W x L) 0.56 m x 0.64 m
  - A. Working Height 6.71 m
  - B. Stowed Height 1.98 m
  - C. Platform Entry Height 0.46 m
  - D. Vehicle Length
    - Extension Platform Retracted 1.36 m
    - Stock Picking Platform 1.88 m
  - E. Overall Width 0.75 m
- Machine weight
  - All Other Platforms <sup>1</sup> 1,060 kg
  - Extension Platform <sup>1</sup> 1,090 kg
  - Stock Picking Platform <sup>1</sup> 1,110 kg
- Max. Ground Bearing Pressure Front Casters 22.60 kg/cm<sup>2</sup>
- Max. Ground Bearing Pressure Rear Wheels 8.10 kg/cm<sup>2</sup>
- Drive Maximum Speed - Platform Lowered 5.4 km/h
- Drive Maximum Speed - Platform Elevated 0.8 km/h
- Turning Radius Zero
- Gradeability 20%
- Ground Clearance 5 cm
- Wheel Diameter - Rear Drive & Steer Wheels 32 cm x 10 cm
- Wheel Diameter - Front Castor Wheels 20 cm x 6 cm
- Batteries Maintenance-Free 100 A/hr AGM (x 2)

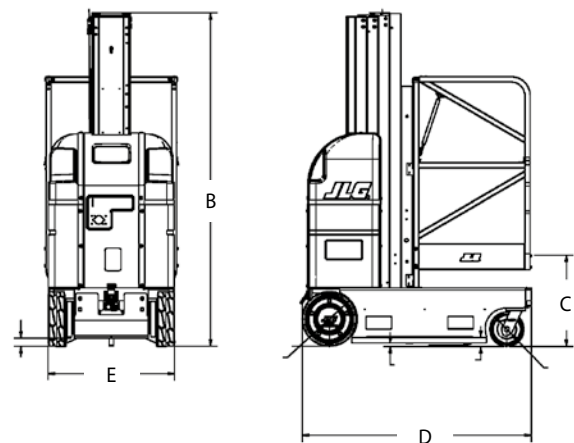
<sup>1</sup> Certain options or country standards may increase weight and/or dimensions.



### Reach Diagram



### Dimensions



### IMPORTANT

JLG is continually researching and developing products and reserves the right to make modifications without prior notice. All data in this document is indicative. Certain options or country standards will increase weight. Specifications may change to meet country standards or with the addition of optional equipment.

Due to continuous product improvements, JLG Industries reserves the right to make specification and/or equipment changes without prior notification.



### JLG EMEA BV

Polaris Avenue 63  
2132 JH Hoofddorp  
The Netherlands  
Tel: +31 (0)23 565 5665  
Fax: +31 (0)23 557 3750  
[www.jlg.com](http://www.jlg.com)

An Oshkosh Corporation Company